

Eco Preparation 1600 mm Hot Cupboard

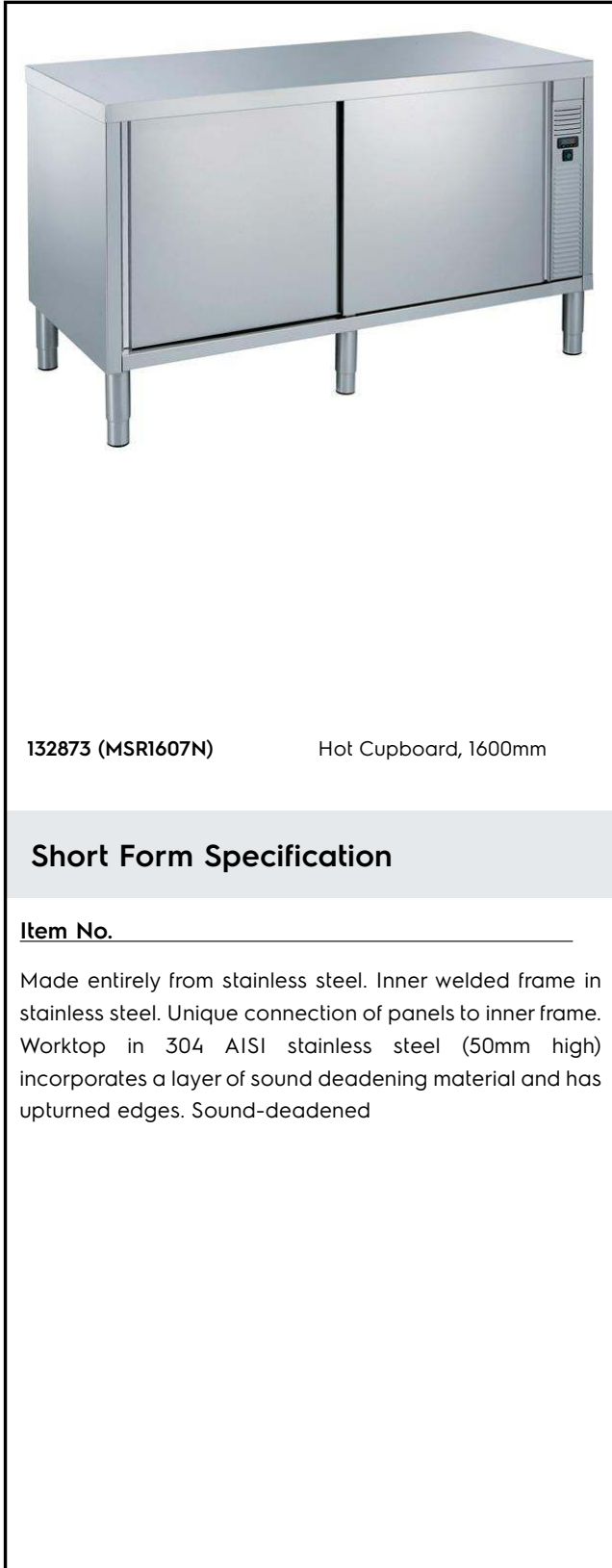
ITEM # _____

MODEL # _____

NAME # _____

SIS # _____

AIA # _____



132873 (MSR1607N)

Hot Cupboard, 1600mm

Short Form Specification

Item No. _____

Made entirely from stainless steel. Inner welded frame in stainless steel. Unique connection of panels to inner frame. Worktop in 304 AISI stainless steel (50mm high) incorporates a layer of sound deadening material and has upturned edges. Sound-deadened

Main Features

- Ideal for central positioning in the kitchen, either as island installation or back to back.
- Digital display thermostat to control the internal temperature.
- Model specific to keep dishes warm.
- Handles in stainless steel for better hygiene and reliability.
- Sturdiness, stability and reliability of table accurately tested.

Construction

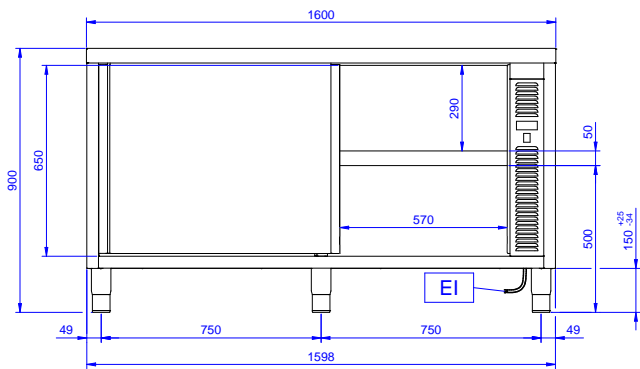
- Inner welded frame in stainless steel to guarantee superior strength and stability.
- Handles directly built into the sliding doors.
- Equipped with intermediate shelf which can be positioned at three different heights.
- Intermediate shelf in stainless steel with riveted corners and trasversal reinforcement in stainless steel.
- Sturdy sound-deadened sliding doors on tracks located flush to the front of the frame.
- Easy access to the cupboard interior on all lengths guaranteed by the use of only 2 doors.
- Constructed entirely in stainless steel to offer maximum durability.
- Constructed entirely in stainless steel to offer maximum durability.
- Base panel has 40mm high profile, is 8/10 in thickness with upturned edges and bar reinforcement. It is welded to legs for further structure reinforcement.
- 304 AISI stainless steel feet, 150 mm high and 54 mm in diameter, adjustable by -35/+25 mm.
- 50 mm worktop in 304 AISI stainless steel.

Optional Accessories

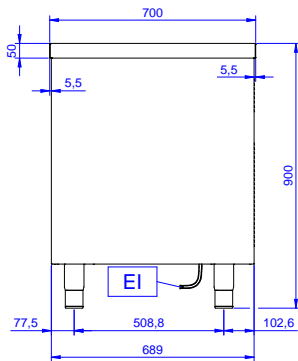
- Wheel kit for cupboards, 4 PNC 855299 wheels (2 with brakes), D=100 mm

APPROVAL: _____

Front

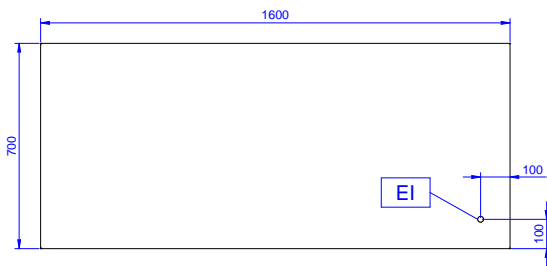


Side



EI = Electrical inlet (power)

Top



Electric

Supply voltage: 220-240 V/1N ph/50/60 Hz
 Total Watts: 2.4 kW

Key Information:

Cabinet width: 1430 mm
 Cabinet depth: 645 mm
 Cabinet height: 610 mm
 Cabinet temperature: 50-75 °C
 External dimensions, Width: 1600 mm
 External dimensions, Depth: 700 mm
 External dimensions, Height: 900 mm
 Worktop thickness: 50 mm
 Net weight: 65 kg